

OPERATOR'S MANUAL

Standard Drag Scraper



Put DIRT in its place.

MODEL
GDS SERIES

Garfield

SAFETY

- 1. Do not lubricate, adjust, or repair when machine is in motion.**
- 2. Follow all laws when transporting on highways.**
- 3. Never allow personnel to ride on machine.**
- 4. All hydraulically elevated components must be blocked to prevent accidental lowering or just be lowered to the ground when adjustment or repairs are made.**
- 5. Keep all personnel a way from machine while it is being operated or being cycled.**
- 6. Drive slowly over rough ground, side hills, and around curves.**
- 7. OSHA requires that as a farm employer you meet certain requirements. Become familiar with and comply with those requirements.**
- 8. Be certain anyone who operates this machine understands all safety related items.**
- 9. Should hydraulic hoses and/or fittings be accidentally damaged, replace those components immediately for safe operation. Never open hydraulic components under pressure.**
- 10. Always put transport lock in while traveling down the road.**

Garfield

WARRANTY

2

Under the conditions described herein GARFIELD, INC. will within 12 months from the date of purchase on agricultural designed the operated machinery, and 90 days for hire commercial machinery, supply or at GARFIELD'S option, repair any part manufactred and/or workmanship, upon receipt of the damaged part.

GARFIELD components manufactured by companies other than GARFIELD are warranted soley by those companies. Those components include but are not limited to tires, rims belts, hoses, and hydraulics.

GARFIELD will not warrant any part which in GARFIELD'S opinion has failed due to modifications, abuse, misuse, improper maintenance, or due to normal wear.

GARFIELD will pay no further expenses, including but not limited to transportation, labor and loss of time income, or crops.

This warranty is made expressly in place of all other guarantees or warranties, expressed or implied.

Garfield

FORWARD

This manual is written as a guide for owners and operators of the GARFIELD equipment, read it carefully and follow the suggestions which are made. Keep this manual in a convenient place for quick, easy reference and use it whenever questions come up.

Fill in the following information now for future reference and convenience. Always give this information to your Dealer when ordering new parts, or asking for help. Your GARFIELD dealer is your primary source for information, however, if at any time it is necessary for you to write directly to GARFIELD, INC. for additional information, give the model and serial number of your machine and as much descriptive information as possible. This will help us to do a better job of solving your problem and/or getting parts to you.

MODEL NO. _____

SERIAL NO. _____

DATE OF PURCHASE _____

NAME AND ADDRESS _____

Phone# _____

It is the policy of GARFIELD, INC. to make improvements on our product. GARFIELD, INC. reserves the right to make these improvements without incurring any obligation to those machines already in the field. Years of research and development combined with experience gained through close contact with operators has been drawn upon designing your products.

GARFIELD, INC.
500 W. SOUTHGATE
ENID, OK 73703
580-233-1410
800-382-4478



Transport Lockout

Use Transport Lockout bolt to safely transport scraper.
Remove bolt before using scraper.



Tilt Lockout

Remove Lockout bolts and nuts (2 each) to use tilt function.
(On Tilt Models only)

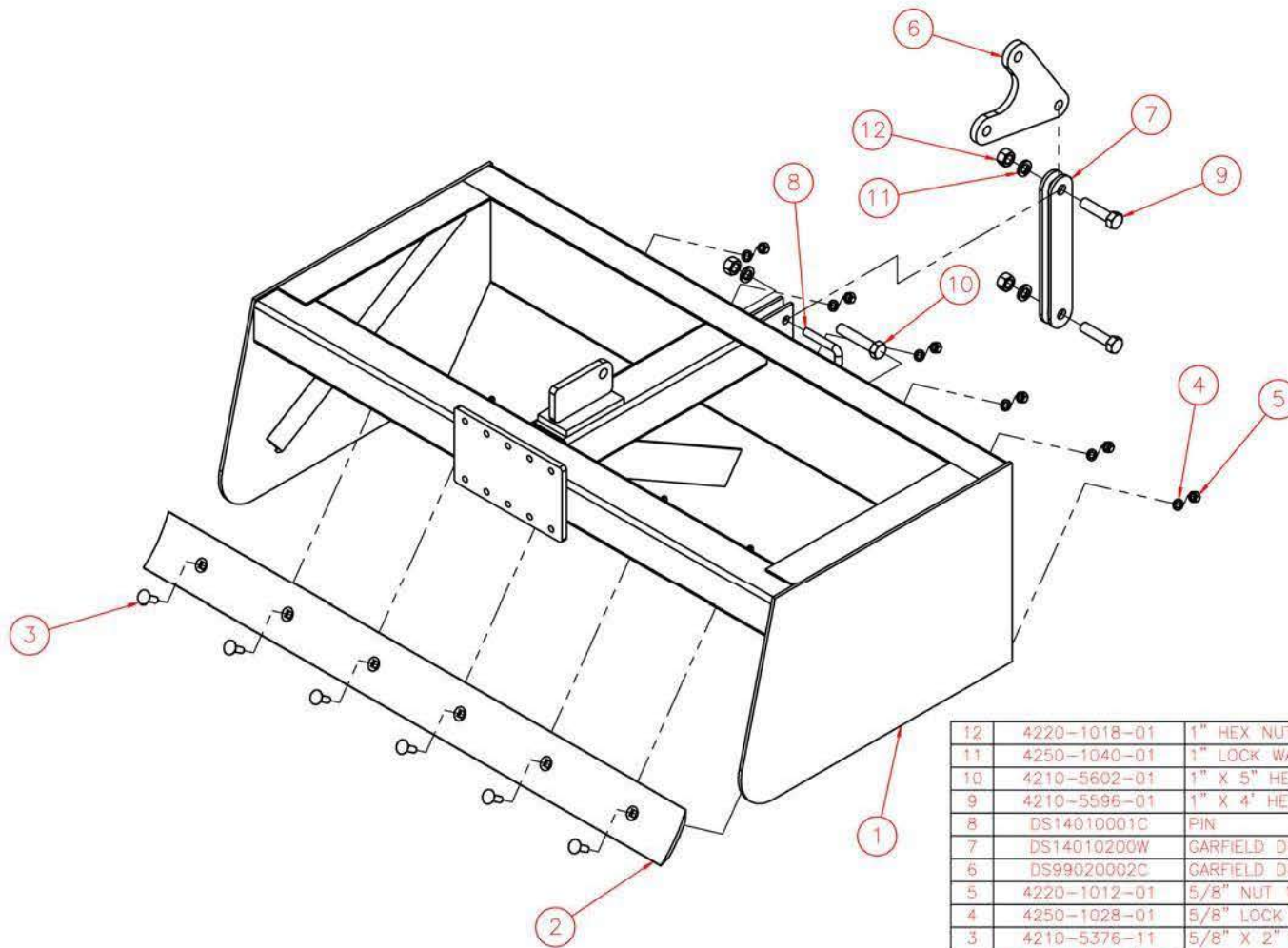


Proper position of Tilt Cylinder

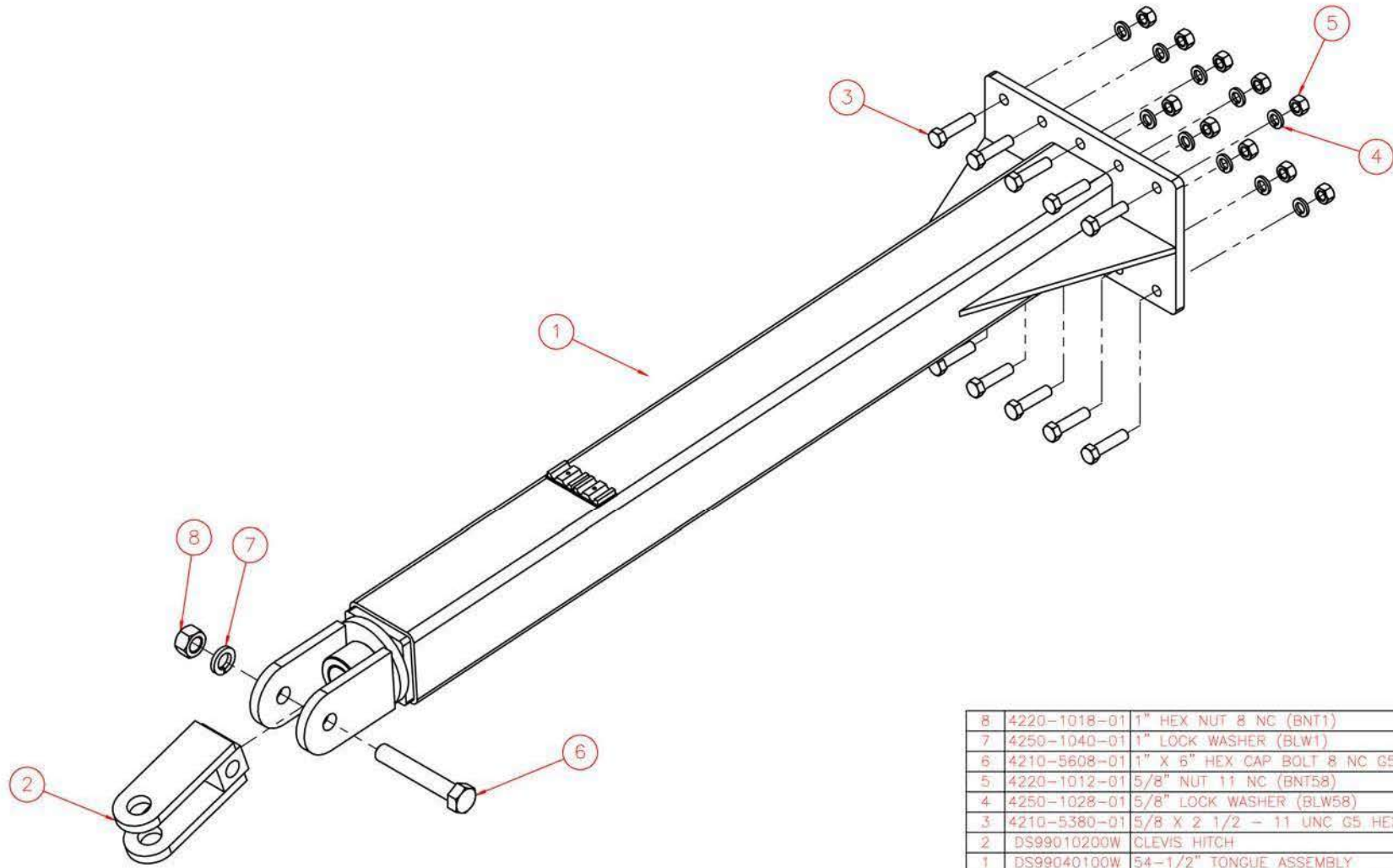


- 1. 4470-6338-00 Spindle
- 2. 4260-1054-01 Cotter Pin
- 3. 4220-1018-26 Spindle Nut
- 4. 4240-1032-01 Washer
- 5. 4330-3042-01 Dust Cap

- 6. 4220-1008-98 Lug Nut
- 7. 4130-5402-00 Seal
- 8. 4150-1185-00 Outer Bearing
- 9. 4150-1581-00 Inner Bearing
- 10. 4190-0011-25 Complete Hub Assy.

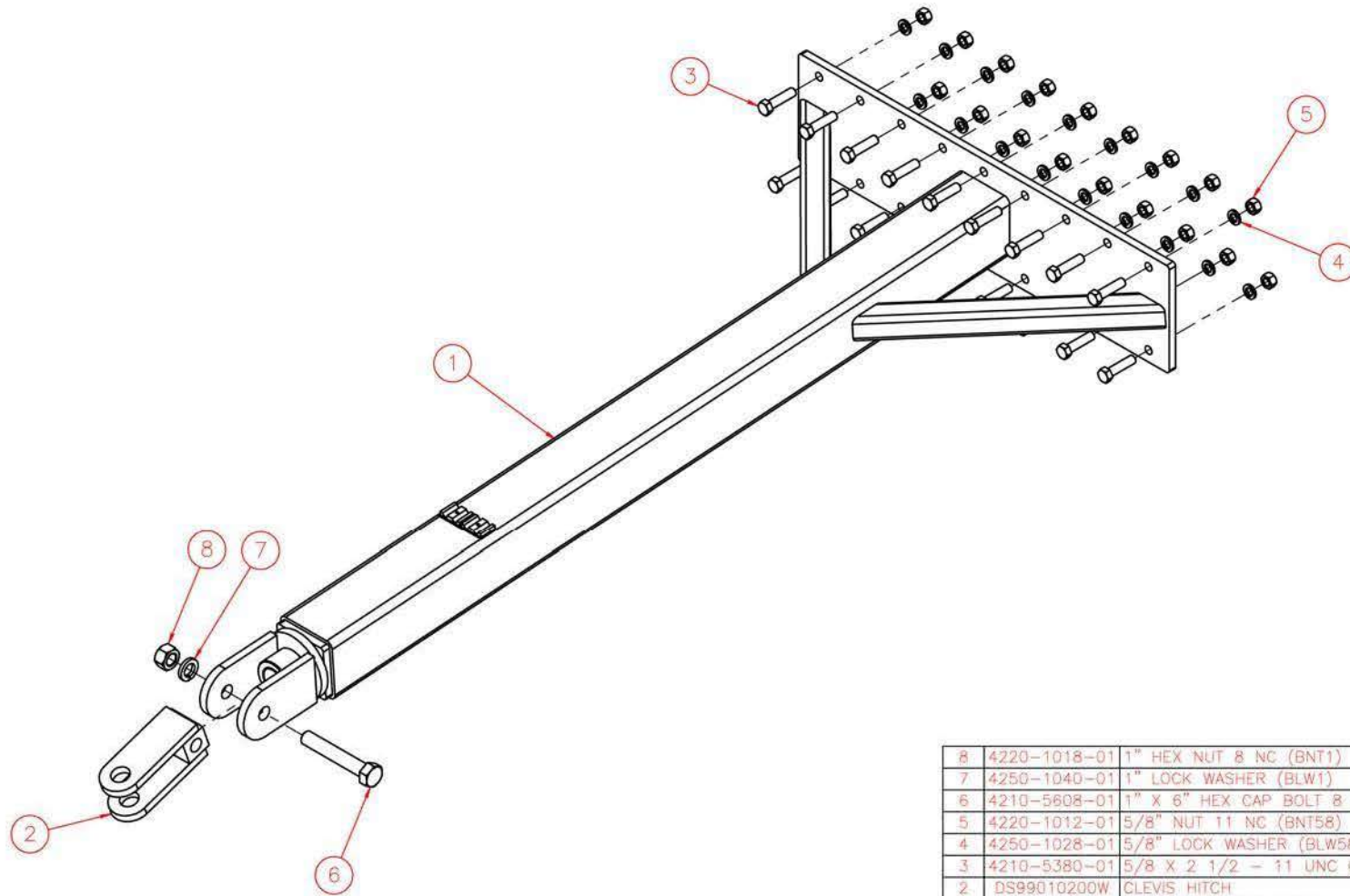


12	4220-1018-01	1" HEX NUT 8 NC (BNT1)	3
11	4250-1040-01	1" LOCK WASHER (BLW1)	3
10	4210-5602-01	1" X 5" HEX CAP BOLT 8 NC G5 (BHC1X5)	1
9	4210-5596-01	1" X 4" HEX CAP BOLT 8 NC G5 (BHC1X4)	2
8	DS14010001C	PIN	1
7	DS14010200W	GARFIELD DRAG SCRAPER LINK	1
6	DS99020002C	GARFIELD DRAG SCRAPER CAM	1
5	4220-1012-01	5/8" NUT 11 NC (BNT58)	6
4	4250-1028-01	5/8" LOCK WASHER (BLW58)	6
3	4210-5376-11	5/8" X 2" PLOW BOLT 11 NC G5 (BPB58X2G5)	6
2	4370-1130-00(1-2)	GARFIELD REPLACEMENT BLADE - 12 (GRB12)	1
1	DS06010100W	BOX ASSEMBLY	1
ITEM	PART. NO.	Description	QTY



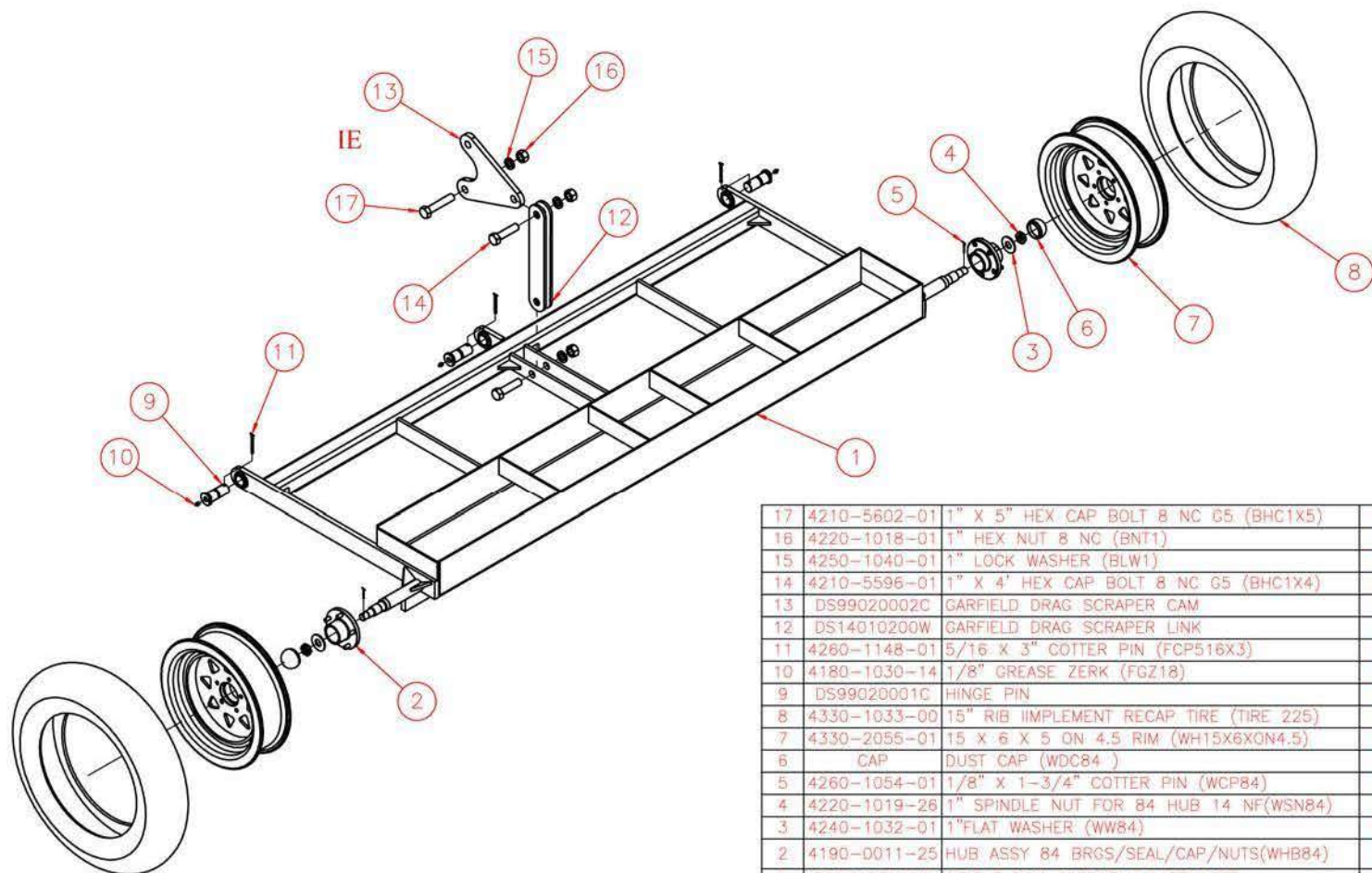
8	4220-1018-01	1" HEX NUT 8 NC (BNT1)	1
7	4250-1040-01	1" LOCK WASHER (BLW1)	1
6	4210-5608-01	1" X 6" HEX CAP BOLT 8 NC G5 (BHC1X6G5)	1
5	4220-1012-01	5/8" NUT 11 NC (BNT58)	10
4	4250-1028-01	5/8" LOCK WASHER (BLW58)	10
3	4210-5380-01	5/8 X 2 1/2 - 11 UNC G5 HEX. BOLT	10
2	DS99010200W	CLEVIS HITCH	1
1	DS99040100W	54-1/2" TONGUE ASSEMBLY	1
ITEM	PART. NO.	DESCRIPTION	QTY

6', 8', & 10' Models



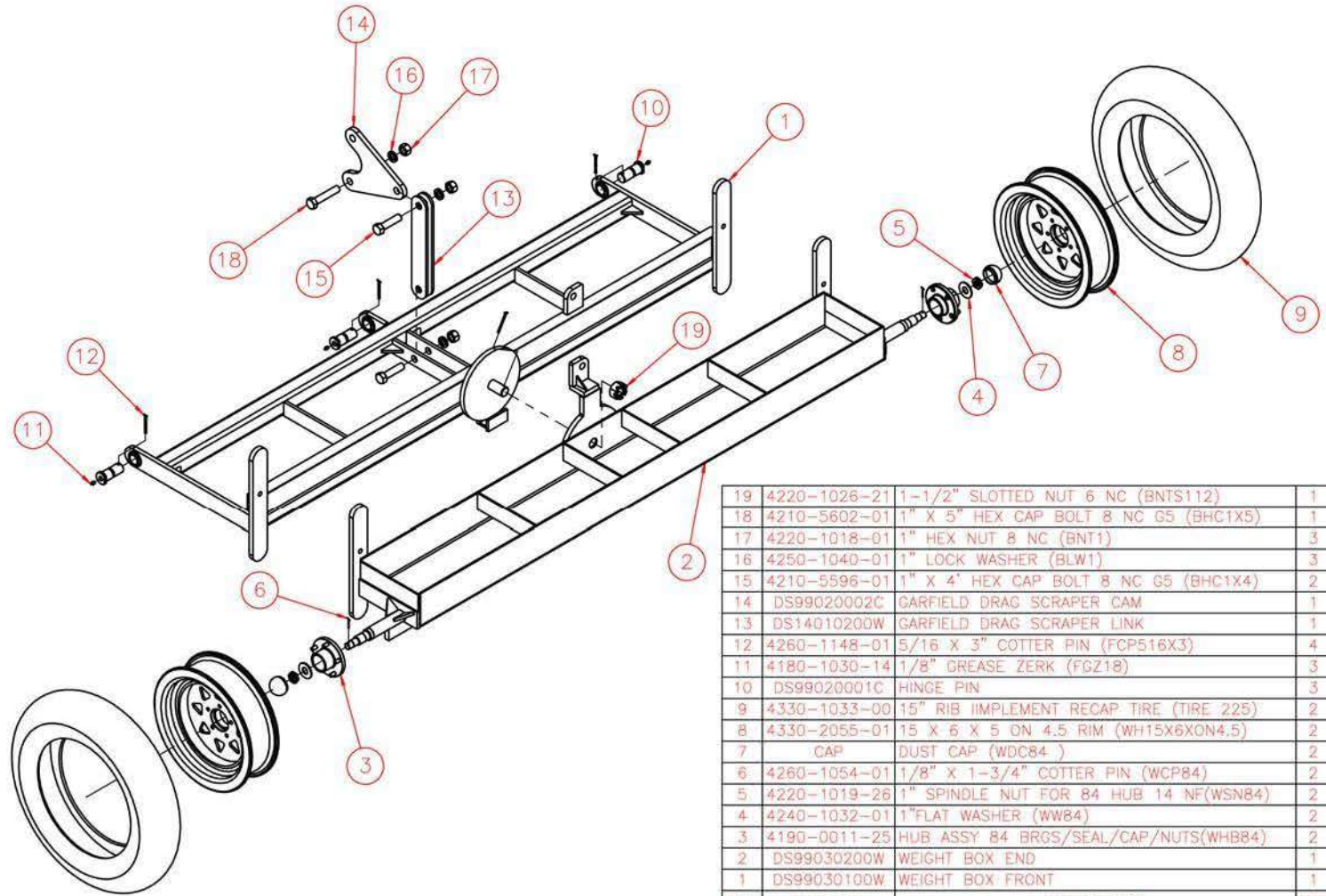
8	4220-1018-01	1" HEX NUT 8 NC (BNT1)	1
7	4250-1040-01	1" LOCK WASHER (BLW1)	1
6	4210-5608-01	1" X 6" HEX CAP BOLT 8 NC G5 (BHC1X6G5)	1
5	4220-1012-01	5/8" NUT 11 NC (BNT58)	18
4	4250-1028-01	5/8" LOCK WASHER (BLW58)	18
3	4210-5380-01	5/8 X 2 1/2 - 11 UNC G5 HEX. BOLT	18
2	DS99010200W	CLEVIS HITCH	1
1	DS99010100W	66" TONGUE ASSEMBLY	1
ITEM	PART. NO.	DESCRIPTION	QTY

12', 14' & 16' Models



17	4210-5602-01	1" X 5" HEX CAP BOLT 8 NC G5 (BHC1X5)	1
16	4220-1018-01	1" HEX NUT 8 NC (BNT1)	3
15	4250-1040-01	1" LOCK WASHER (BLW1)	3
14	4210-5596-01	1" X 4' HEX CAP BOLT 8 NC G5 (BHC1X4)	2
13	DS99020002C	GARFIELD DRAG SCRAPER CAM	1
12	DS14010200W	GARFIELD DRAG SCRAPER LINK	1
11	4260-1148-01	5/16" X 3" COTTER PIN (FCP516X3)	3
10	4180-1030-14	1/8" GREASE ZERK (FGZ18)	3
9	DS99020001C	HINGE PIN	3
8	4330-1033-00	15" RIB IMPLEMENT RECAP TIRE (TIRE 225)	2
7	4330-2055-01	15 X 6 X 5 DN 4.5 RIM (WH15X6XDN4.5)	2
6		DUST CAP (WDC84)	2
5	4260-1054-01	1/8" X 1-3/4" COTTER PIN (WCP84)	2
4	4220-1019-26	1" SPINDLE NUT FOR 84 HUB 14 NF(WSN84)	2
3	4240-1032-01	1"FLAT WASHER (WW84)	2
2	4190-D011-25	HUB ASSY 84 BRGS/SEAL/CAP/NUTS(WHB84)	2
1	DS99020100W	WEIGHT BOX ASSEMBLY 14FT&12FT	1
ITEM	PART. NO.	DESCRIPTION	QTY

Tilt Moldels



19	4220-1026-21	1-1/2" SLOTTED NUT 6 NC (BNTS112)	1
18	4210-5602-01	1" X 5" HEX CAP BOLT 8 NC G5 (BHC1X5)	1
17	4220-1018-01	1" HEX NUT 8 NC (BNT1)	3
16	4250-1040-01	1" LOCK WASHER (BLW1)	3
15	4210-5596-01	1" X 4" HEX CAP BOLT 8 NC G5 (BHC1X4)	2
14	DS99020002C	GARFIELD DRAG SCRAPER CAM	1
13	DS14010200W	GARFIELD DRAG SCRAPER LINK	1
12	4260-1148-01	5/16 X 3" COTTER PIN (FCP516X3)	4
11	4180-1030-14	1/8" GREASE ZERK (FGZ18)	3
10	DS99020001C	HINGE PIN	3
9	4330-1033-00	15" RIB IMPLEMENT RECAP TIRE (TIRE 225)	2
8	4330-2055-01	15 X 6 X 5 ON 4.5 RIM (WH15X6XON4,5)	2
7	CAP	DUST CAP (WDC84)	2
6	4260-1054-01	1/8" X 1-3/4" COTTER PIN (WCP84)	2
5	4220-1019-26	1" SPINDLE NUT FOR 84 HUB 14 NF (WSN84)	2
4	4240-1032-01	1"FLAT WASHER (WW84)	2
3	4190-0011-25	HUB ASSY 84 BRGS/SEAL/CAP/NUTS(WHB84)	2
2	DS99030200W	WEIGHT BOX END	1
1	DS99030100W	WEIGHT BOX FRONT	1
ITEM	PART. NO.	DESCRIPTION	QTY